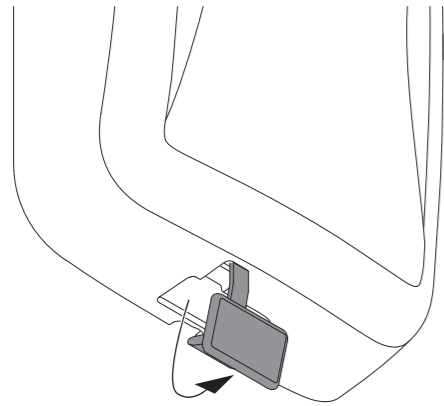
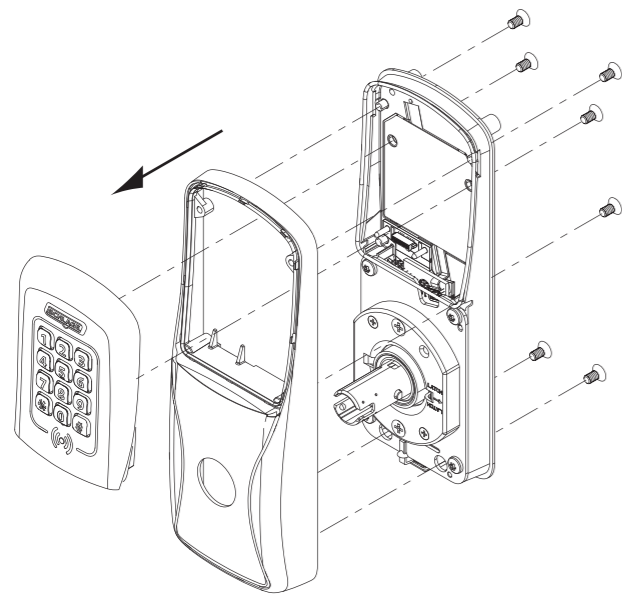


Rehanding

a. If present, remove USB plug

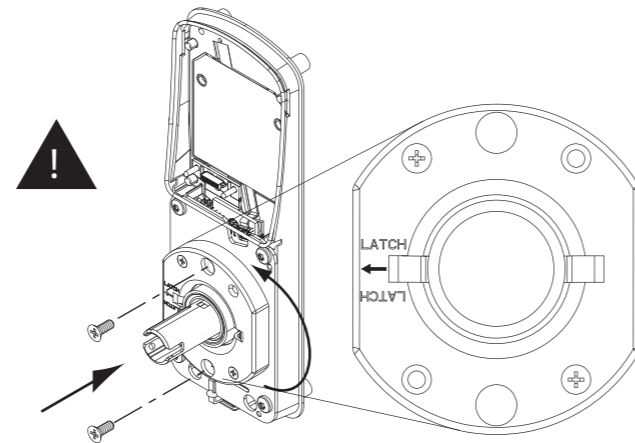
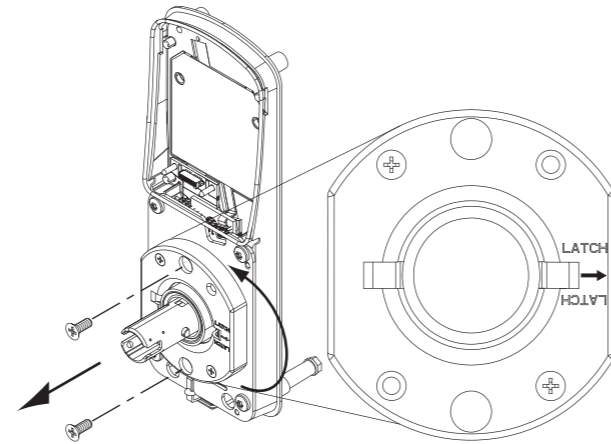


b. Remove reader and cover from baseplate

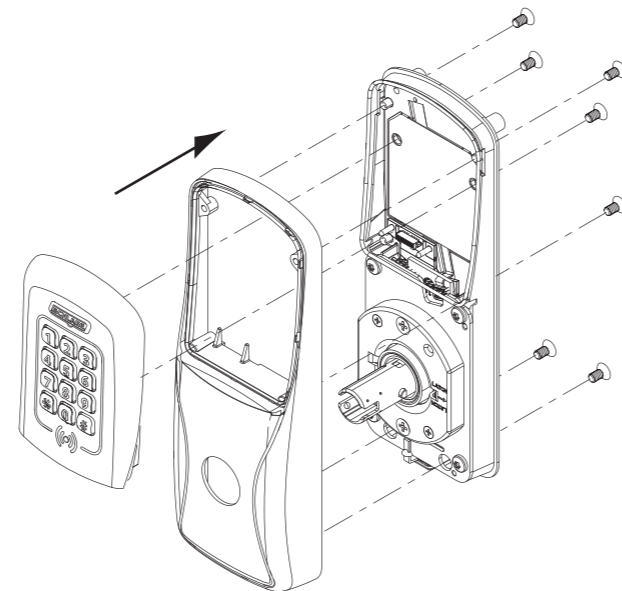


! NOTE: On keypad only application, reader is not removable

c. Remove Spring Cage, align arrow with latch, and reinstall

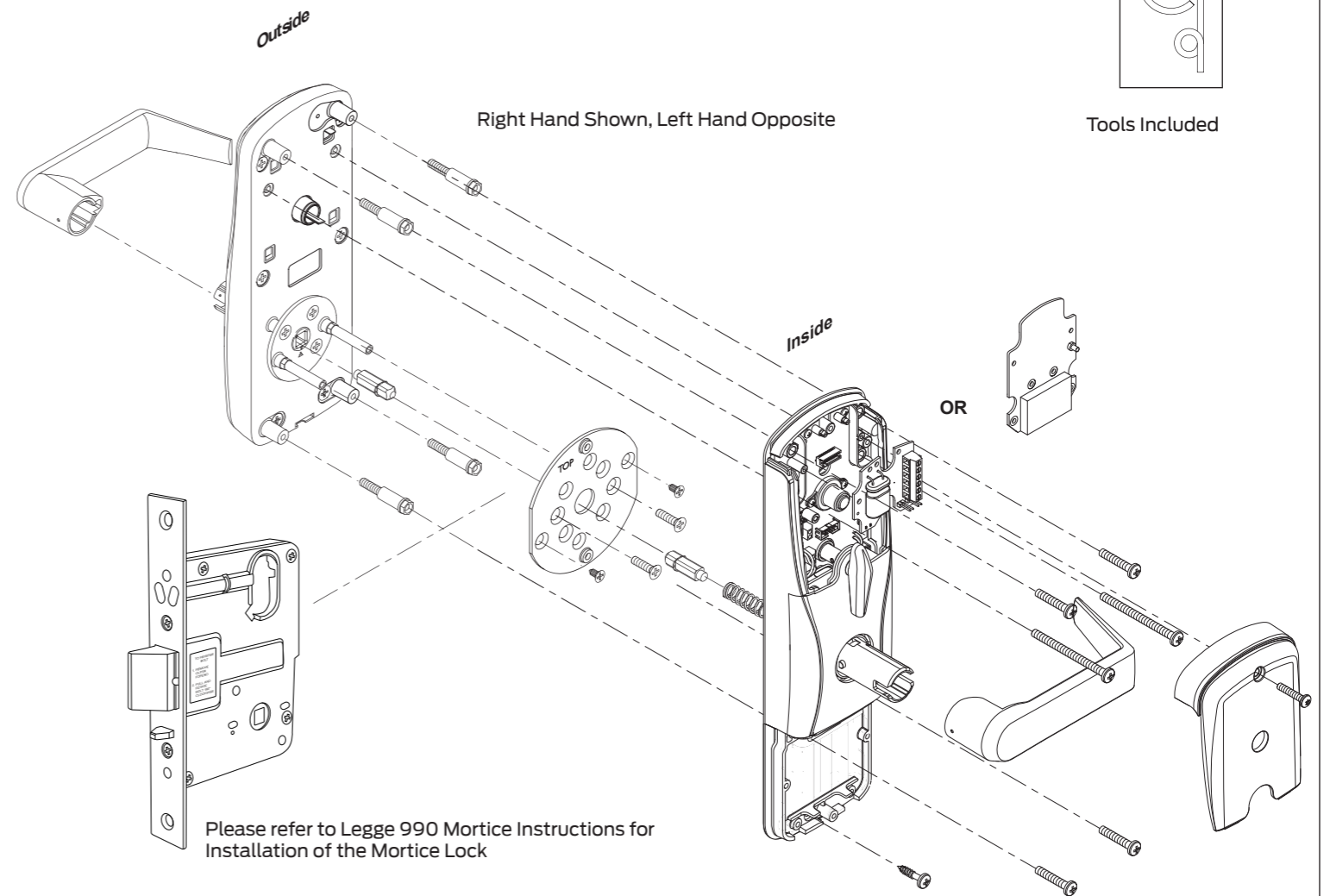


d. Reinstall cover and reader onto baseplate

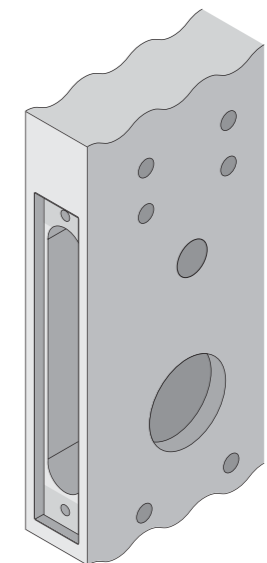


**AD-Series with Mortice Lock
Installation Instructions
AD-200 & AD-400**

Exploded Diagram



1 Prepare Door
See template



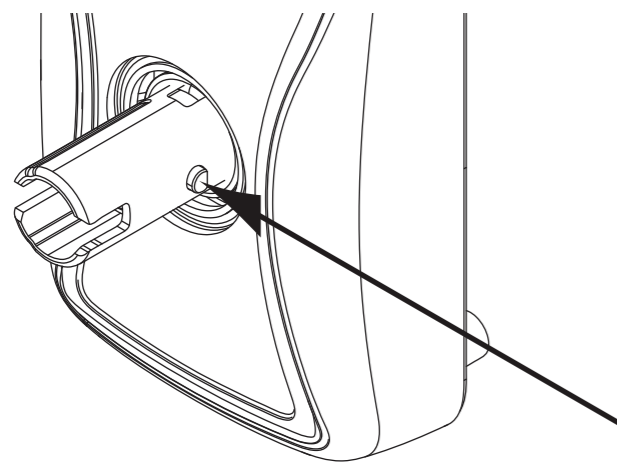
Allegion (Australia) Pty Ltd
Phone 1800 098 094
Website www.allegion.com.au

Allegion (New Zealand) Limited
Phone 0800 477 869
Website www.allegion.co.nz

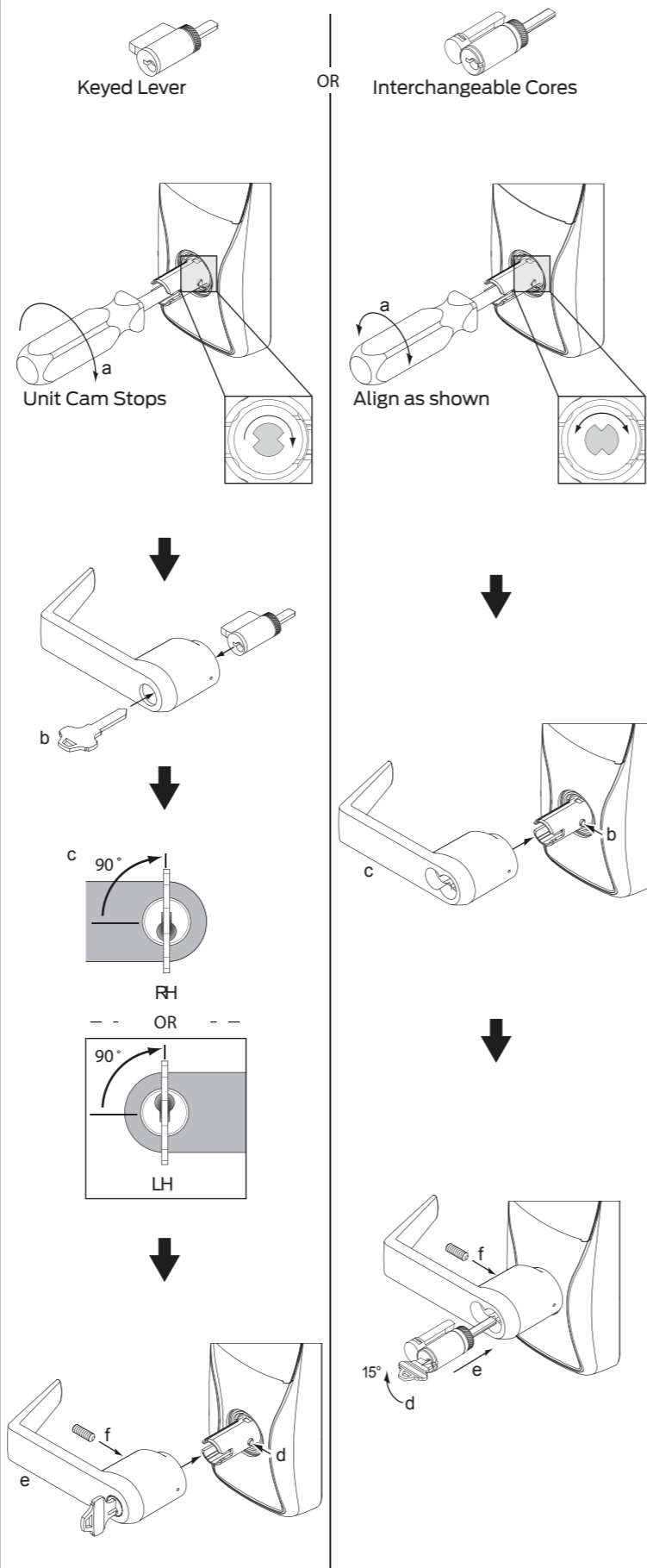
01/2014

2 Check Lever Handling

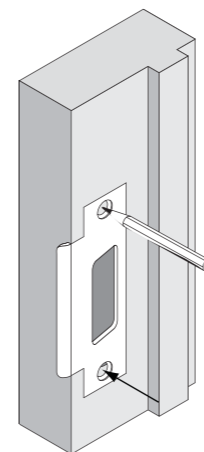
See "Rehanding" on back page if pin is not toward latch



3 Install Cylinder and Lever

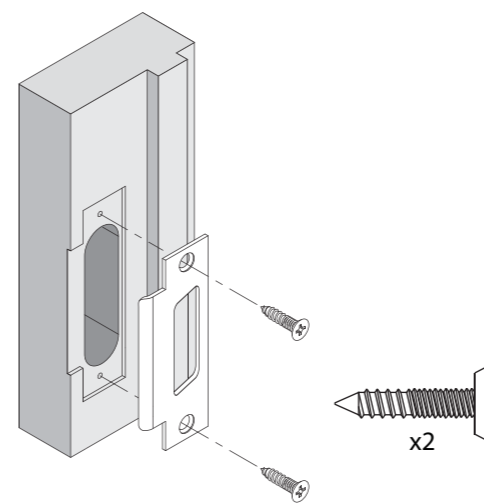


17 Prepare Frame



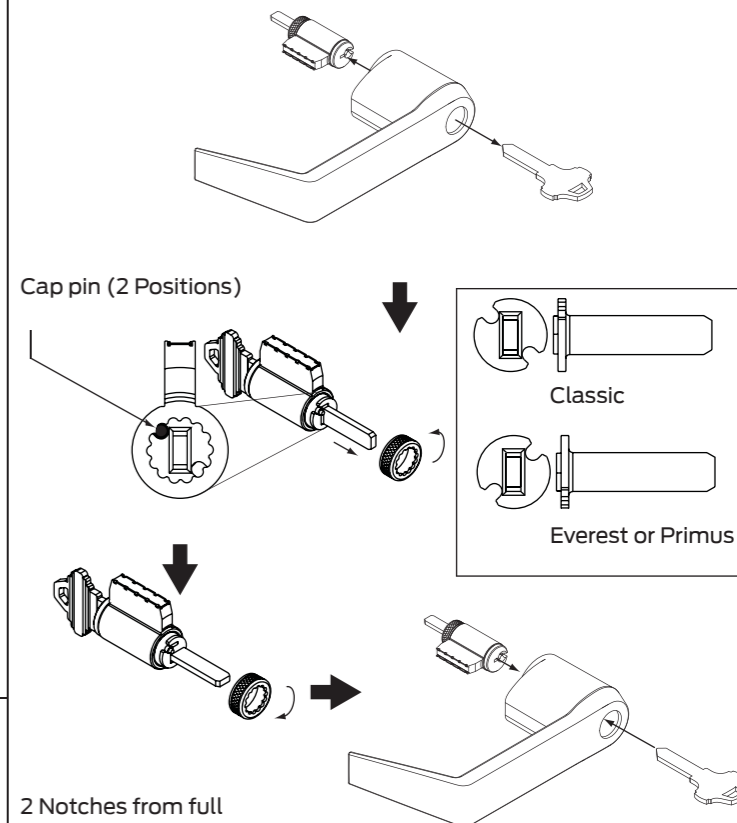
Metal: Tek screw recommended
Wood: #8

18 Install Strike

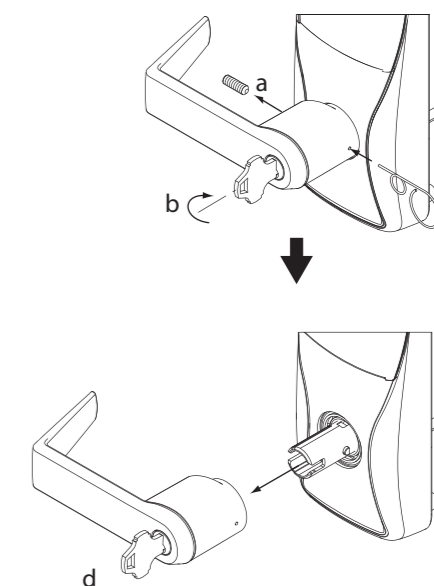


19 After Installing the Lock, See the User Guide for Setup and Operation

Changing the Cylinders Tailpiece

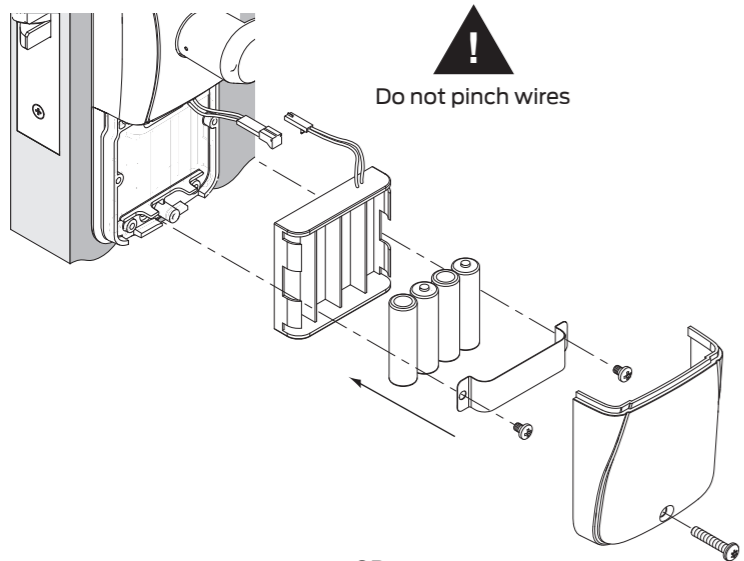


Future Lever Removal



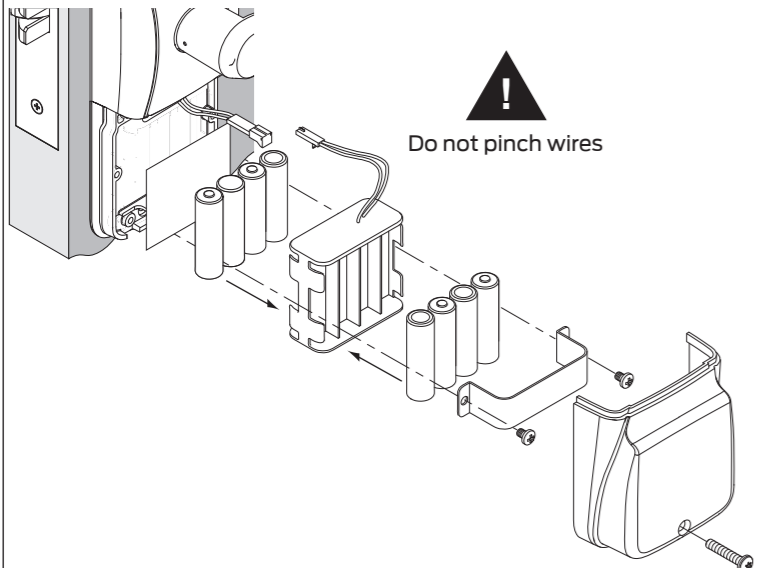
14 Install Battery Pack

4 Batteries

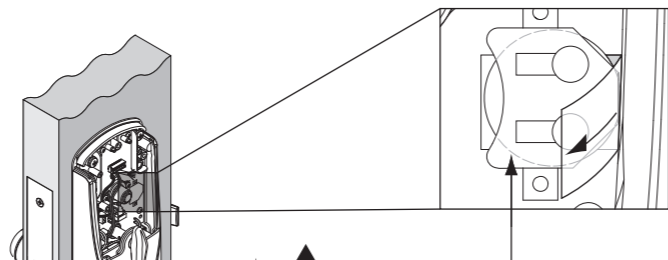


OR

8 Batteries

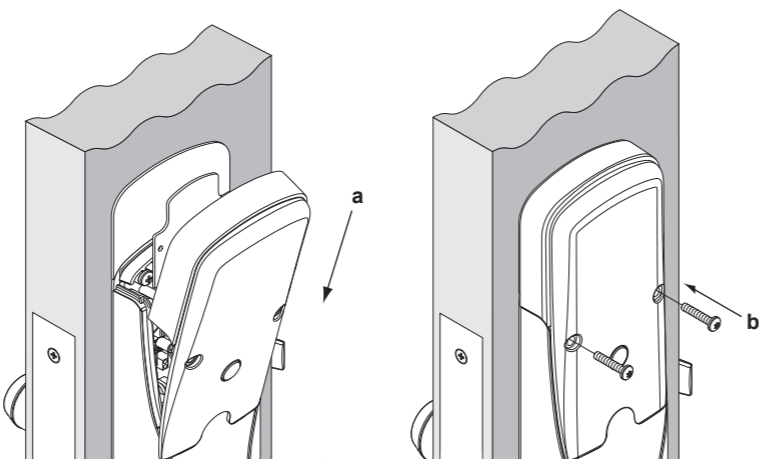


15 Carefully Remove Insulator from Battery

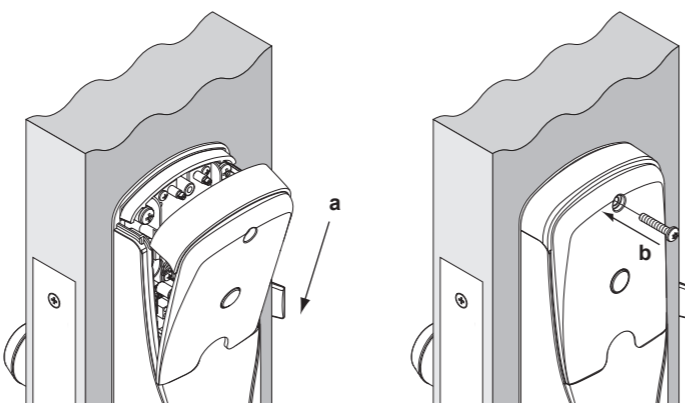


! Ensure battery stays in place

16 Secure Inside Cover



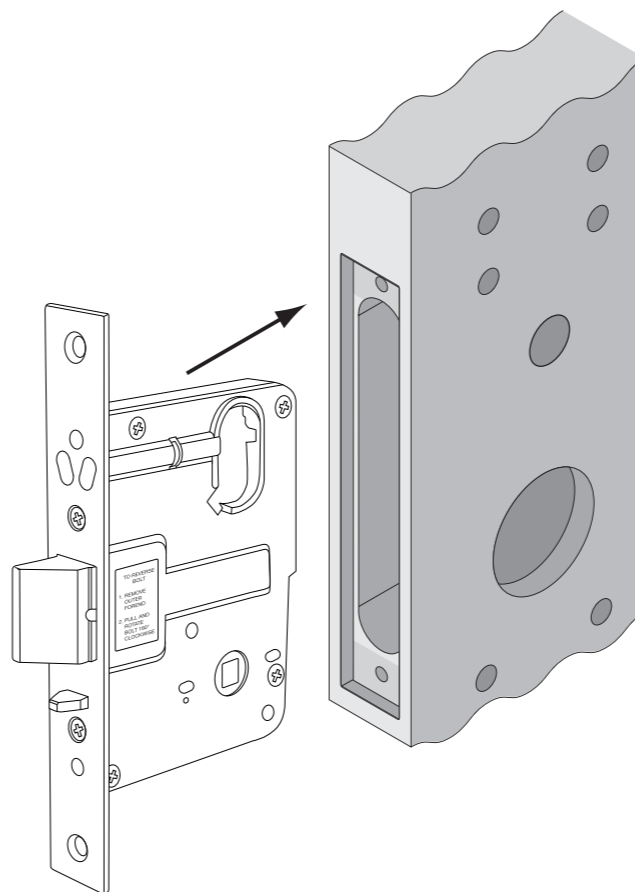
OR



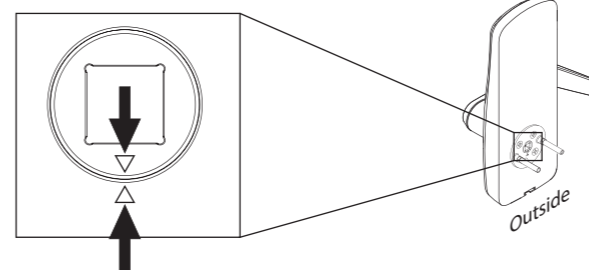
4 Prepare Legge 990 Mortice Lock for Installation

Please refer to Legge 990 Mortice Instructions guide for more details (in lock box)

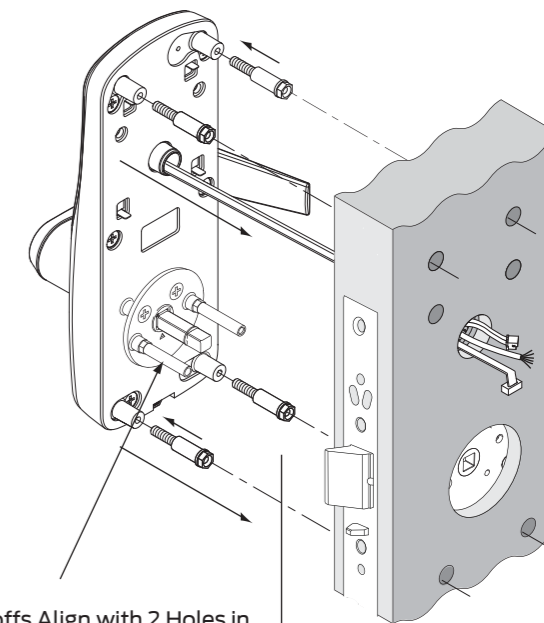
5 Slide Mortice Lock into Door



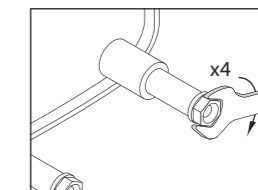
6 Align Triangles



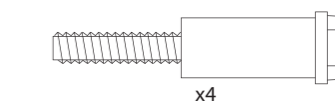
7 Install Outside Escutcheon



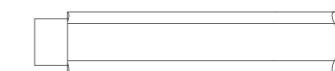
Stand-offs Align with 2 Holes in Mortice Case



5/16 inch Wrench

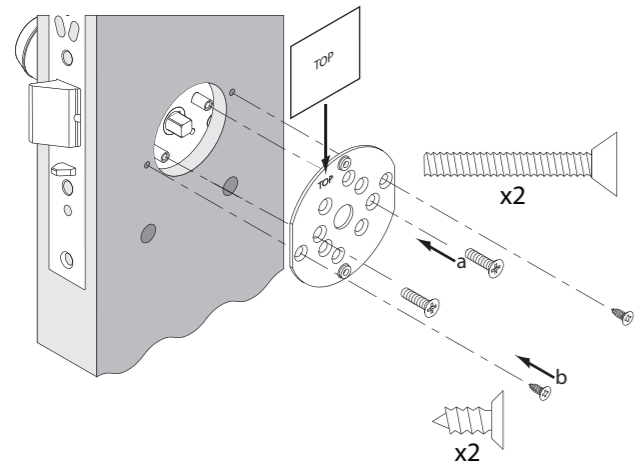


x4

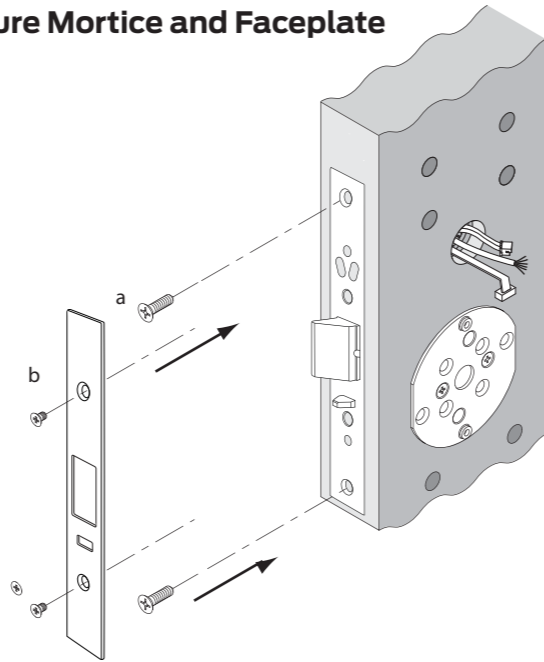


x1

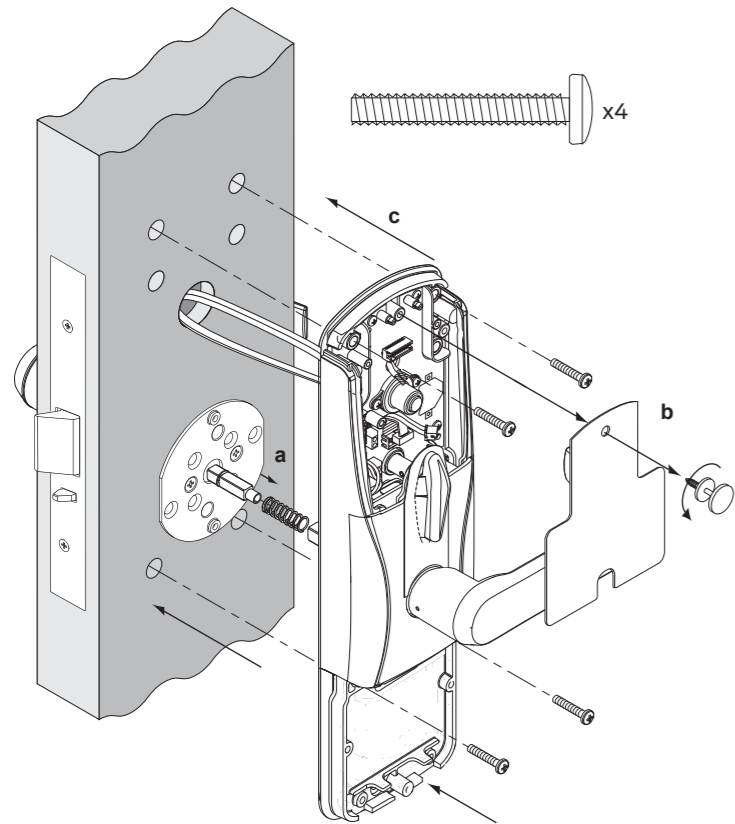
8 Install Plate



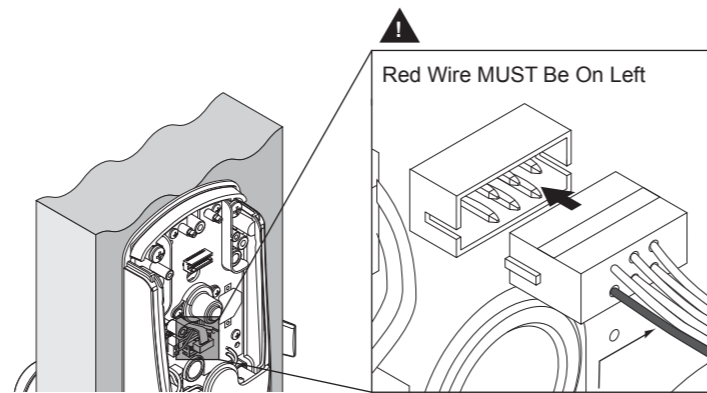
9 Secure Mortise and Faceplate



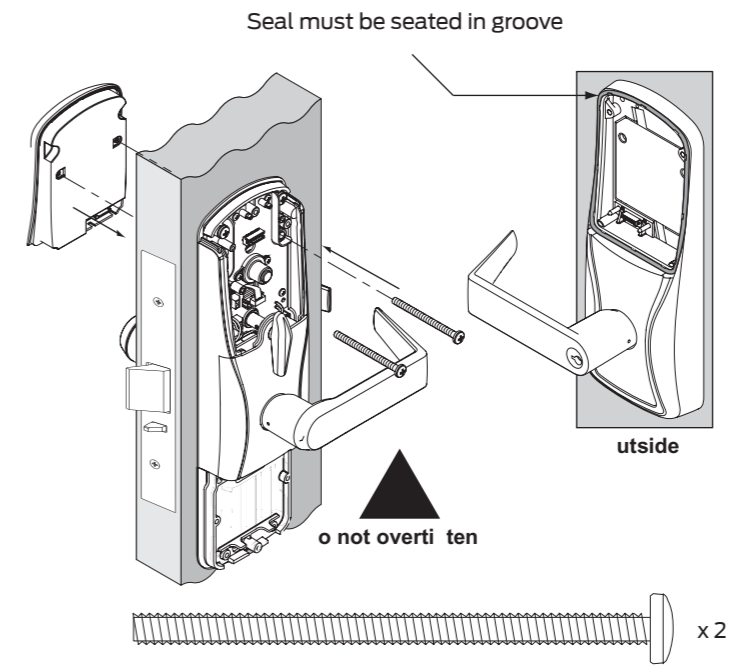
10 Install Inside Spindle before Escutcheon



11 Install Ribbon Cable



12 Install Reader



13 Install Wireless Communication Module (AD-400 ONLY)

